

29739-06C

Biotec 30

Gebrauchsanweisung

Directions for use

Mode d'emploi

Gebruiksaanwijzing

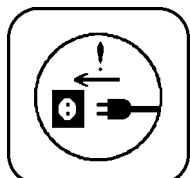


Direction for use



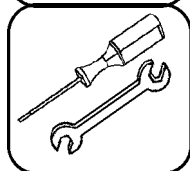
Product description

Biotec 30 is a multi-zone filter for large ponds up to 130 m³, or up to 65 m³ for fish ponds. The arrangement of brushes, mats and sponges in this filter accelerates the filtration of larger dirt particles. This allows the microorganisms to break down harmful nutrients more effectively.



Assembly

In order to use the Biotec filter, it is necessary to fit the connecting parts and washers. See **Illustrations 1-4** at the end.



1. Inlet (Illustration 1):

Attach matching gasket (2) to the stepped hose adapter 1½" (1) then screw together with inlet nozzle (3) from the inside. Attach air hose (4). Fit matching gasket 2" (6) and reducer (7) to the 2" stepped hose adapter 2" (5) and fit in the same way as the 1½" stepped hose adapter. **Caution: Slit opening of inlet nozzle must point downwards!**

2. Dirt outlet (Illustration 1):

Attach matching gasket (9) to outlet (8) and push into hole at bottom of container. Screw tightly into place from the inside using enclosed screws (10).

3. Clear water outlet (Illustration 2):

Push thread nipple (11) with washer (12) and matching gasket 1" (13) through the hole of the container from the inside. Fit a gasket from the outside, too, and screw on ball cock (14).

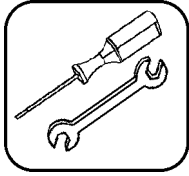
4. Outlet (Illustration 2):

Insert seal ring (15) into borehole and push in outlet pipe DN 100 x 150 (16). The sealing lip **must** point to the inside. The outlet pipe DN 100 x 150 can be extended with 2 enclosed pipes DN 100 x 500 (37).

5. Bitron 15/12 (Illustration 3):

In order to connect the Bitron 15/25, another 2 gaskets per Bitron outlet have to be fitted (included in Biotec 30 inlet set) in addition to the extension components included with the Bitron 15/25. Put the gasket 1½" (2) on the Bitron outlet and then fit the spacer ring (17) and O-ring 48 x 4mm (18). Attach Bitron 15/25 at the boreholes in the container and press the O-Ring 48 x 4 (18) against the container wall from the inside. Screw on inlet nozzle (3).

Directions for use



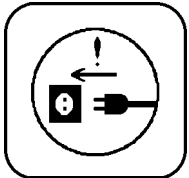
6. Bitron 36/72 (Illustration 4)

Put one 48 x 4 O-ring (18) on each Bitron outlet. Attach the Bitron 36/72 through the boreholes in the container and press a 48 x 4 O-ring (18) against the container wall from the inside for each attachment. Screw the inlet nozzle (3) on. See also the instructions for the Bitron 36/72.



Installation

Place filter on a firm level base. If using a UVC lamp, leave a gap of at least 2 m to the water. You might wish to do this in any case, should you wish to add a Bitron later on.



Start-up

1. Connect pump in pond via a hose to the adapter on the filter.
 - Cut adapter to right size to fit hose
 - If necessary, briefly dip ends of hose in boiling water before attaching
 - Lay hose without twists and so that it cannot be stepped on
 - Affix hose clips to ends of hose
2. Lay domestic DN 100 drainage pipes from the filter outlet to the pond inlet with a gradient of at least 1%. If the pipes are not UV-resistant, possibly cover them with earth. Extend the wastewater outlet with DN 70 drainage pipes.
3. Switch on pump and test water flow.



Special guidelines:

- The hose connections on the filter must be fitted with care.
- The filter must never overflow (e.g. due to a clogged drain). Danger of pond emptying.
- The filter system is a biological system and requires a few weeks after initial installation to become fully effective.
- The filter should be in permanent operation and never run dry.

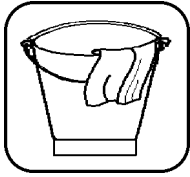


Maintenance and cleaning (Illustration 5)

Biotec filters are maintenance-free, however they should be cleaned whenever necessary.

To drain off the wastewater, pull out the slide valve (19). This lets the wastewater drain away freely. If necessary, some clean water can be drained via the clear water outlet (14). This significantly reduces the amount of dirty water.

Directions for use



1. Clean the filter brushes (20) as often as possible. To do this, rinse the brush frame. This can be done inside or outside the container. The bottom end of the brushes should rest on the black filter mat. **(Illustration 6)**
2. Only clean the filter mats (21) when necessary. They become more effective as bacterial growth increases. The filter mats can also be cleaned inside or outside the container. The filter mats 1-5 must be fitted in the correct order. Filter mat # 5 has a sealing lip. This must rest on the intermediate base (25). (Illustration 6)
3. Clean the blue (22) and red (23) sponges when the water through-flow is no longer adequate and the water level rises above the sponges. The sponge holders can be easily pulled out of the intermediate base (25) to facilitate cleaning.

Only rinse filter elements with water. Do not use chemical cleansing agents!



Winter

Clean filter, empty container and hoses and leave to dry.



Guarantee

A function guarantee of **3 years** is given on this **OASE device**. The guarantee begins with the day the device is sold or prior to this with the day it was first put into operation. The certificate is only valid together with the receipt of purchase.

Our guarantee covers faults in material or defects of fabrication. Our guarantee does not apply to claims resulting from installation and operation faults as well as lack of maintenance, effects of frost, furring or inexpert repair attempts, as well as all wear parts.

Our manufacturing department exclusively uses quality materials. Should the device, in spite of this, give rise to a justified claim, you will be entitled to have the device retouched free of charge or the defective parts replaced. We reserve the right to charge assembly costs. All guarantee repairs are carried out by us or by a repair shop authorised by us. We do not accept liability for subsequent damage resulting from the failure of this device. Should you ever have to make a guarantee claim, please send the device under

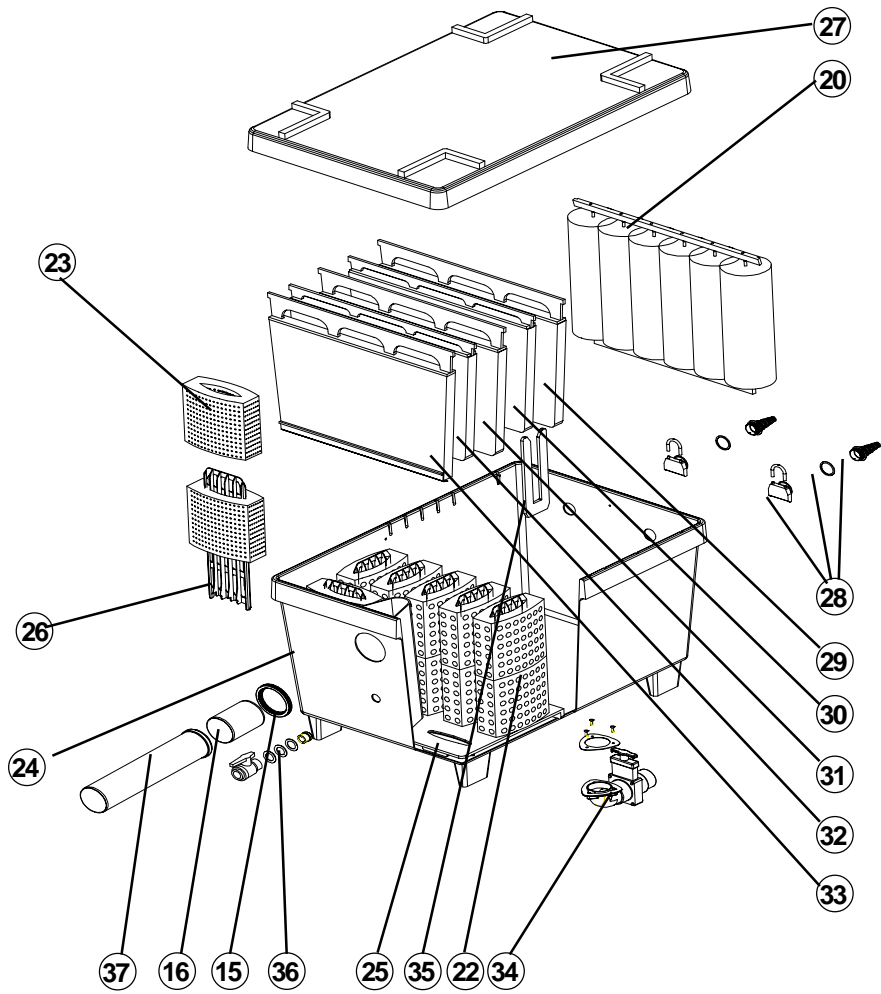


Directions for use



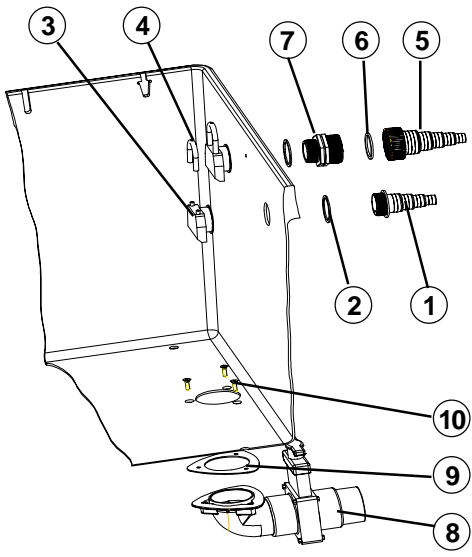
objection or device component together with your receipt, guarantee card and specification of the defect to us, freight prepaid. Complaints due to damage in transit can only be referred to the appropriate quarter if the damage was ascertained and confirmed on receipt of the goods on behalf of the forwarding agent, the railway or post office. Only then is it possible to lodge claims against the forwarding agent, railway or post office.

Directions for use

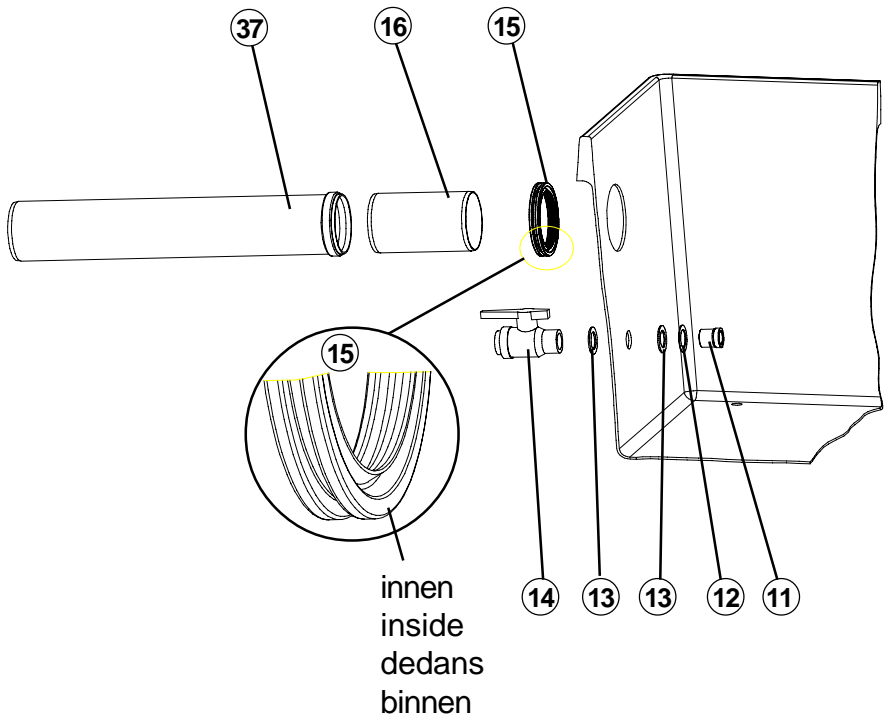


- | | |
|---|---|
| <ul style="list-style-type: none"> 15. Gasket DN100 16. Outlet pipe DN 100 x 150 20. Brush frame 22. Filter sponge - blue 23. Filter sponge - red 24. Container 25. Intermediate base 26. Sponge holder 27. Lid 28. Inlet set | <ul style="list-style-type: none"> 29. Filter mat T - black 30. Filter mat H - black 31. Filter mat T - green 32. Filter mat H - green 33. Filter mat with sealing lip 34. Base outlet set 35. Spacer 36. 1" outlet set 37. Outlet pipe DN 100 x 500 |
|---|---|

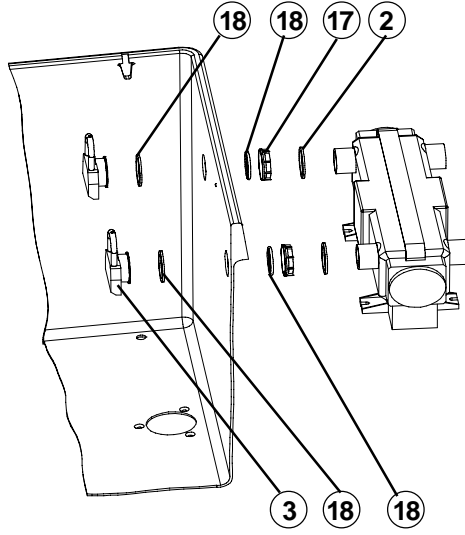
Afb. 1



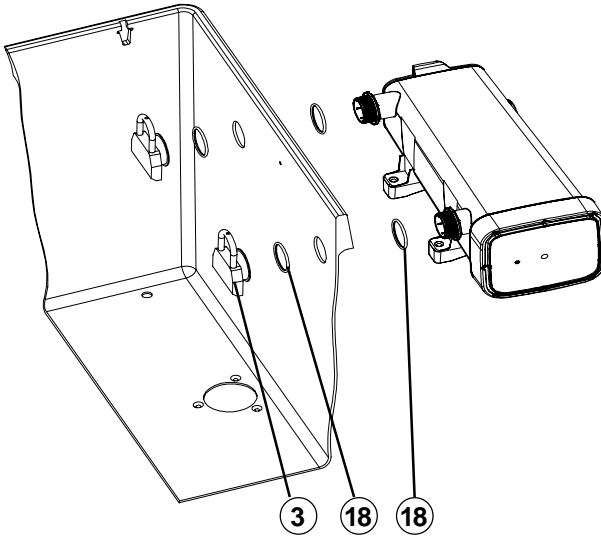
Afb. 2



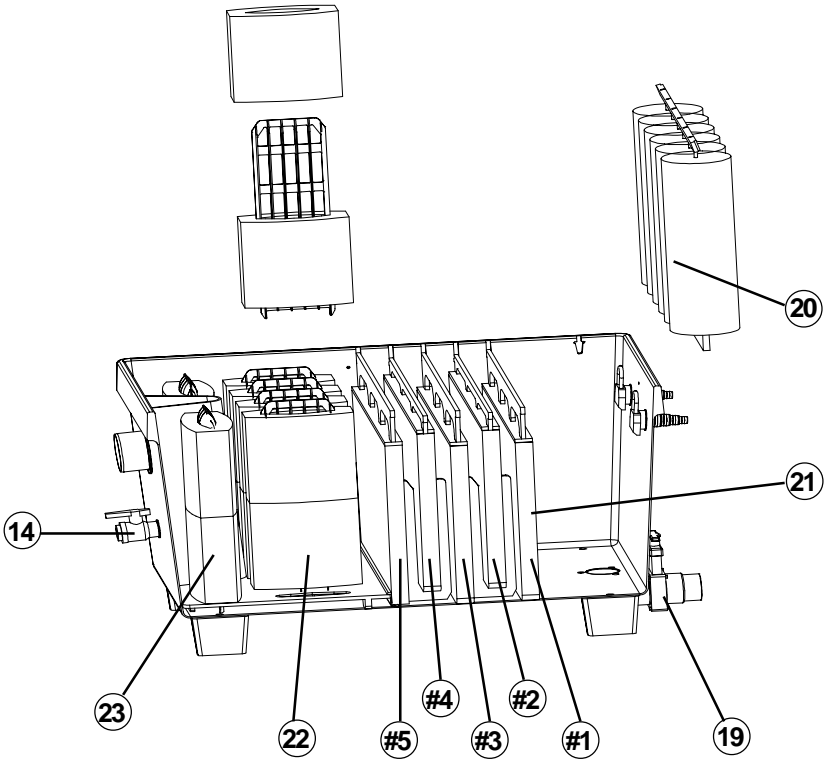
Afb. 3



Afb. 4



Afb. 5



Afb. 6

