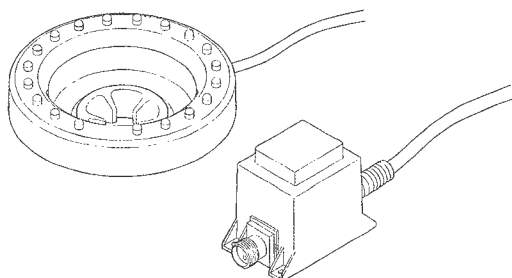




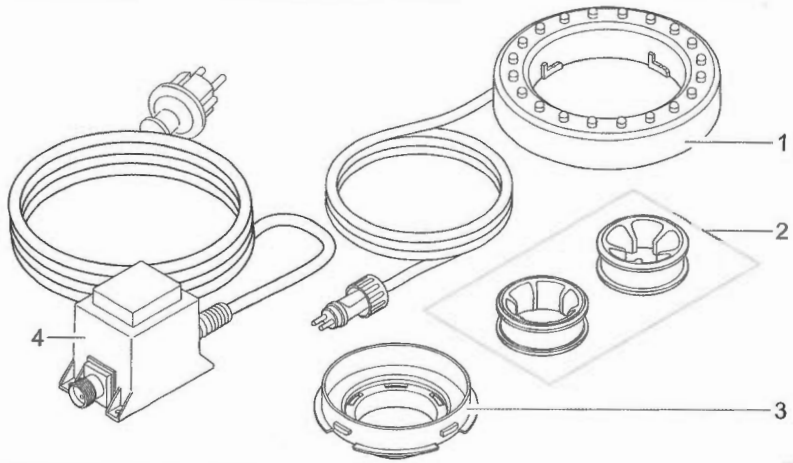
EN Operating instructions

PondoStar LED Ring



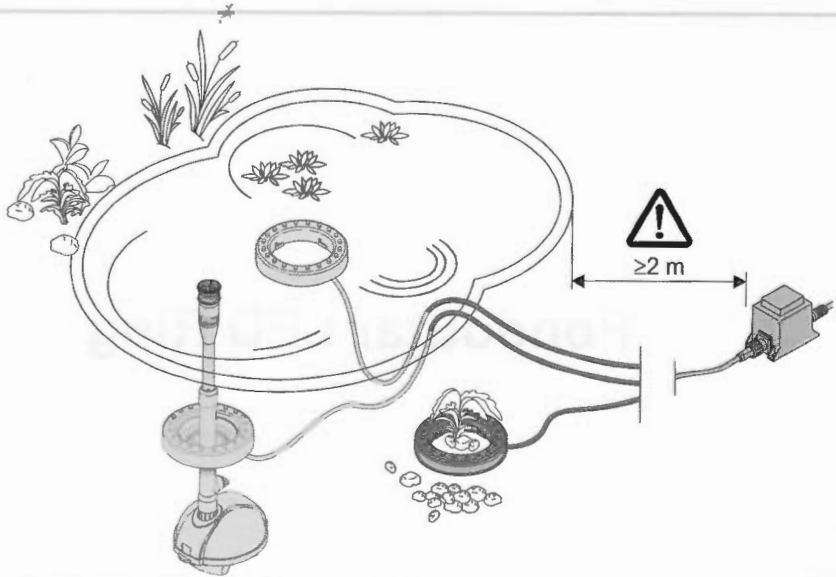


A



0103/0010

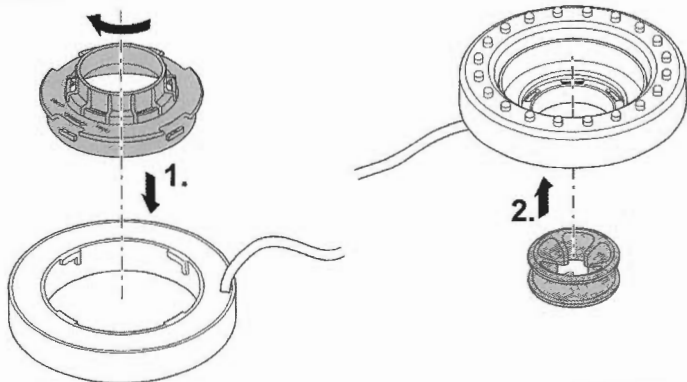
B



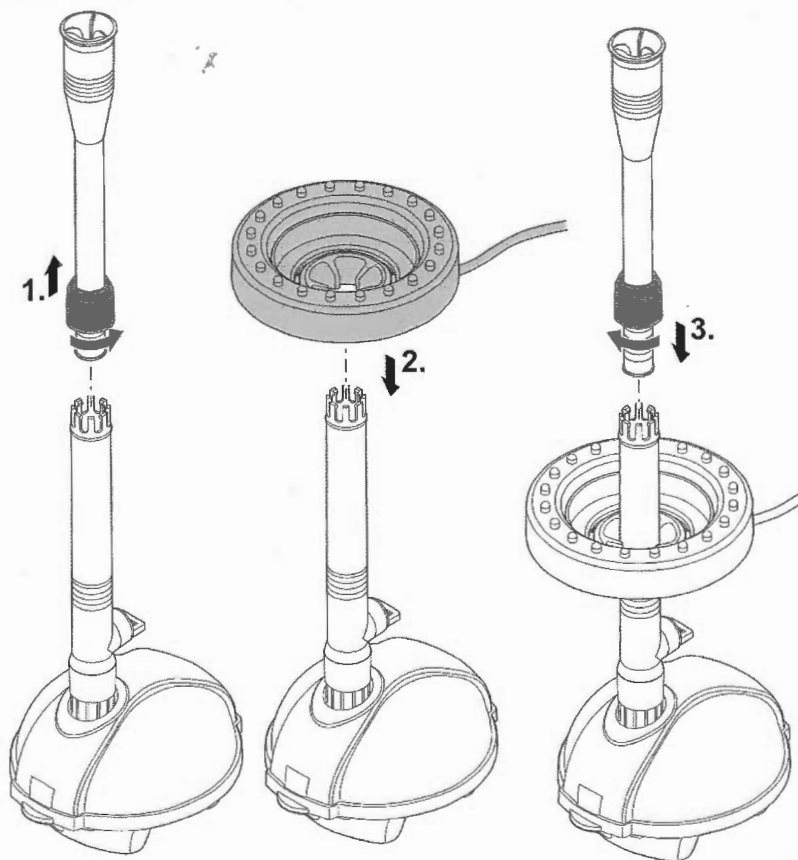
0103/0010



C

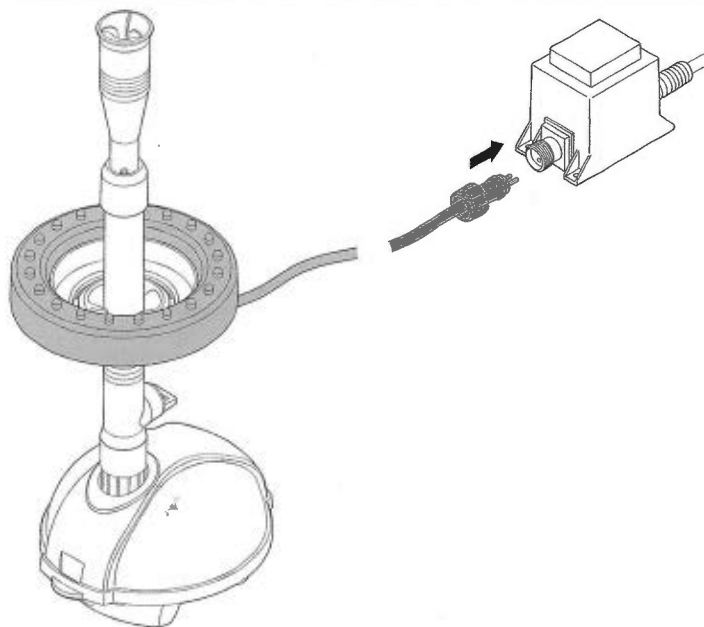


D





E



Translation of the original Operating Instructions

WARNING

- This unit can be used by children aged 8 and above and by persons with reduced physical, sensory or mental capabilities or lack of experience and knowledge if they are supervised or have been instructed on how to use the unit in a safe way and they understand the hazards involved.
- Do not allow children to play with the unit.
- Only allow children to carry out cleaning and user maintenance under supervision.
- Ensure that the unit is fused for a rated fault current of max. 30 mA by means of a fault current protection device.
- Only connect the unit if the electrical data of the unit and the power supply correspond. The unit data is to be found on the unit type plate, on the packaging or in this manual.
- Possible death or severe injury from electrocution! Before reaching into the water, disconnect all electrical units in the water from the mains.
- Do not use the unit if electrical cables or housings are damaged.
- A damaged connection cable cannot be replaced. Dispose of the unit.

Safety information

Correct electrical installation

- Electrical installations must meet the national regulations and may only be carried out by a qualified electrician.
- A person is regarded as a qualified electrician if, due to his/her vocational education, knowledge and experience, he or she is capable of and authorised to judge and carry out the work commissioned to him/her. This also includes the recognition of possible hazards and the adherence to the pertinent regional and national standards, rules and regulations.
- Switch off all units in the aquarium or disconnect the power plugs of all units before reaching into the water.
- For your own safety, please consult a qualified electrician.
- Extension cables and power distributors (e.g. outlet strips) must be suitable for outdoor use (splash-proof).
- Install the transformer at a minimum safety distance of 2 m from the water.
- Protect the plug connection from moisture.
- Only connect the unit to a correctly fitted socket.

Safe operation

- Route cables such that they are protected from damage and do not present a tripping hazard.
- Never carry or pull the unit by the electrical cable.
- Never carry out technical changes to the unit.
- Only open the unit housing or its attendant components if this is explicitly specified in the operating instructions.
- Only carry out work on the unit that is described in this manual. If problems cannot be overcome, please contact an authorised customer service point or, if in doubt, the manufacturer.
- Only use original spare parts and accessories for the unit.
- Only operate the unit with the supplied transformer.
- The power pack or transformer and plug connections are only protected from rain and splash water, they are not waterproof. Ensure that they are never placed in water.

Information about these operating instructions

You made a good choice with the purchase of this product **PondoStar LED Ring**.

Prior to commissioning the unit, please read the instructions of use carefully and fully familiarise yourself with the unit.

Ensure that all work on and with this unit is only carried out in accordance with these instructions.

Adhere to the safety information for the correct and safe use of the unit.

Keep these instructions in a safe place! Please also hand over the instructions when passing the unit on to a new owner.

Warnings used in these instructions

The warning information is categorised by signal words, which indicate the extent of the hazard.



NOTE

Indicates a possibly dangerous situation, which could lead to damage to property or the environment, if not avoided.

Cross-references used in these instructions

A reference to a figure, e.g. figure A.

→ Reference to another section.

Product Description

PondoStar LED Ring is a decorative lighting system for garden areas.

- Suitable for installation on a nozzle extension (for instance PondoVario 750/1000/1500/2500/3500).
- Diverse installation options in gardens or garden ponds.

Scope of delivery

<input type="checkbox"/> A	PondoStar LED Ring	Quantity
1	Light ring	1
2	Adapter for installation on a 19 mm or 25 mm nozzle extension	2
3	Connector for installation on a nozzle extension	1
4	Transformer for power supply of the light ring	1

Intended use

Only use the product described in this manual as follows:

- For use above and under water.
- Operate in accordance with instructions. (→ Technical data)

Installation and connection

- B
- Diverse installation options, e.g. in gardens, garden ponds or decorative fountains. Connectors and adapters are not required.
 - Suitable for installation on the nozzle pipe of a fountain pump. (→ Installation on nozzle extension)
- Install the transformer at least 2 m from the edge of the pond.
- Position the unit in such a way that it does not present a hazard to anyone.

Installation on nozzle extension

The connector and an adapter are required for fastening the unit on a nozzle extension. The diameter of the nozzle extension determines which adapter is required.

How to proceed:

- B, C
- 1. Insert the connector on the rear of the light ring and lock it by briefly twisting it.
 - Briefly twist the connector in the "close" direction until it reaches the stop to lock it.
 - Briefly twist the connector in the "open" direction to unlock it, so that it can be removed.
- 2. Push the adapter into the connector.
 - Use a suitable adapter based on the diameter of the nozzle extension.

Connect the unit

- D
- Connect the connection cable of the light to the socket on the transformer and hand-tighten the union nut.

Commissioning/start-up



NOTE

The unit will be destroyed if it is operated with a dimmer. It contains sensitive electrical components.

- Do not connect the unit to a dimmable power supply.
- **Switching on:** Insert the power plug into the socket.
 - The unit switches on immediately.
- **Switching off:** Disconnect the power plug.

Remedy of faults

Malfunction	Cause	Remedy
LEDs are not lit	Power supply interrupted	Check power supply
	Bulb defective	Bulb cannot be replaced, dispose of unit
Illuminating power decreasing	LEDs soiled	Clean

Maintenance and cleaning

If necessary, clean the unit with clear water using a soft brush.

- Protect the plug connection from moisture.

Storage/overwintering

The unit is not frost-proof and has to be removed and put into storage if minus temperatures are expected.

How to correctly store the unit:

- Thoroughly clean the unit, check it for damage and replace any damaged parts.
- Protect open plug connections from moisture and dirt.

Disposal



NOTE

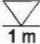






Do not dispose of this unit with domestic waste.

- Render the unit unusable beforehand by cutting the cables and dispose of the unit via the return system provided for this purpose.

Technical data

Area	PondoStar LED ring		
Transformer	Mains voltage	V AC / Hz	230 / 50
	Output voltage	V AC	12
	Max. power output	VA	10.5
	Protection type		IP 44
	Length of power cable	m	2
Lamp	Max. immersion depth	m	1
	Operation at water temperature	°C	+4 ... +35
	Length of the connection cable	m	8
	Dimensions (Ø × H)	mm	125 × 125
	Power consumption	W	3
Weight	kg	0.75	

Symbols on the unit

IP 68 	Complete protection against contact, dust-tight, protected from continuous immersion in water to a depth of 1 m.
IP 44	Dust protected. Splash water protected
	Protection class III Device operates with safety low voltage or extra-low voltage
	Safety transformer
LED class 1	Do not look directly into the beam source
	Protect from direct sunlight.
	Do not dispose of with household waste.
 	Read and adhere to the instructions for use.

Guarantee conditions

PfG grants a 2 year guarantee from the date of sale on proven material and manufacturing faults. Wear parts such as bulbs etc. are exempted from the guarantee. Prerequisite for our guarantee is the presentation of the purchase receipt. Our guarantee will become null and void if the unit is misused, electrically or mechanically damaged by inappropriate use and improper repair by non-authorized workshops. Repairs are reserved for workshops authorised by PfG or by PfG itself. In the case of warranty claims, please return the defective unit or part freight paid to PfG together with a description of the fault and the purchase receipt. PfG reserves the right to invoice repair costs. PfG is not liable for transport damage. Any damage must be claimed against the carrier. Further claims of whatever type, especially consequential damage, are excluded. This guarantee does not affect the final customer's claims against the dealer.